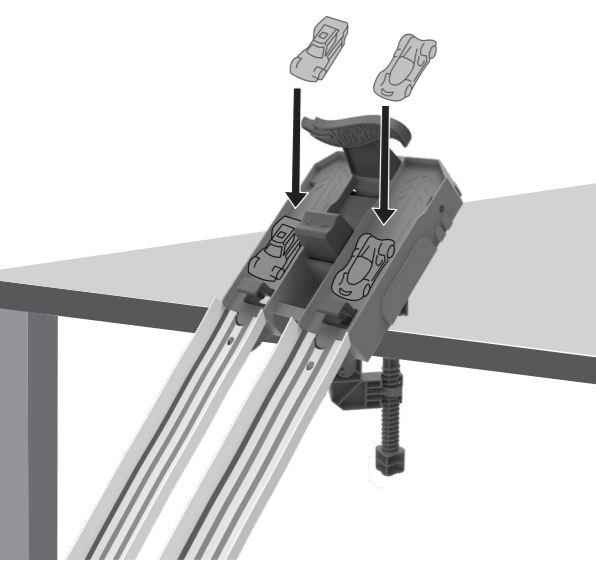
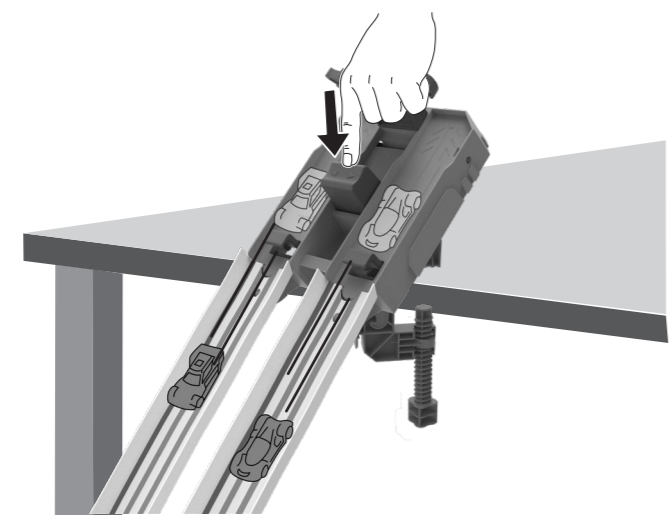


3 TO PLAY

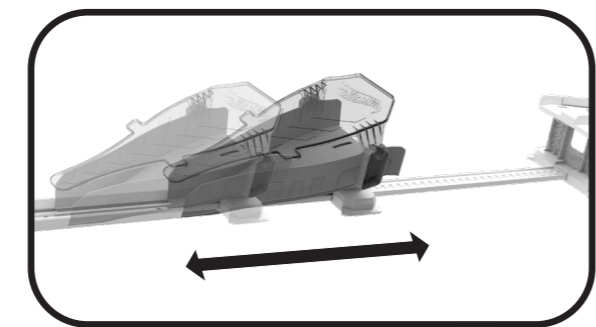
1 a LOAD YOUR CARS BEHIND THE GATES.



b PRESS TO LOWER THE GATES AND LAUNCH!



2 NAIL THE JUMP AND DASH OUT TO WIN THE RACE!



MOVE LANDING RAMP TO ADJUST JUMP DISTANCE.



TIP: FOR THE BEST PERFORMANCE, POSITION THE SLOPE FROM A RECOMMENDED HEIGHT OF 18 TO 24 INCHES (45 TO 60 CENTIMETERS) BEFORE RELEASING YOUR CAR.



FLYING CUSTOMS™

DROP RACE JUMP

CONNECT TO OTHER HOT WHEELS® TRACKS AND SETS TO EXTEND YOUR RACE!



ADDITIONAL TRACKS AND SETS SOLD SEPARATELY.

©2019 Mattel. Mattel, Inc., 636 Girard Avenue, East Aurora, NY 14052, U.S.A. Consumer Services 1-800-524-8697. Mattel U.K. Ltd., Vanwall Business Park, Maidenhead SL6 4UB. Helpline 01628 500303. Mattel Australia Pty. Ltd., 658 Church St., Richmond, Victoria, 3121. Consumer Advisory Service - 1300 135 312. Mattel South Africa (PTY) LTD, Office 102 I3, 30 Melrose Boulevard, Johannesburg 2196. Mattel East Asia Ltd., Room 503-09, North Tower, World Finance Centre, Harbour City, Tsimshatsui, HK, China. Tel.: (852) 3185-6500. Diimport & Diedarkan Oleh: Mattel Southeast Asia Pte. Ltd., No 19-1, Tower 3 Avenue 7, Bangsar South City, No 8, Jalan Kerinchi, 59200 Kuala Lumpur, Malaysia. Tel: 03-33419052.



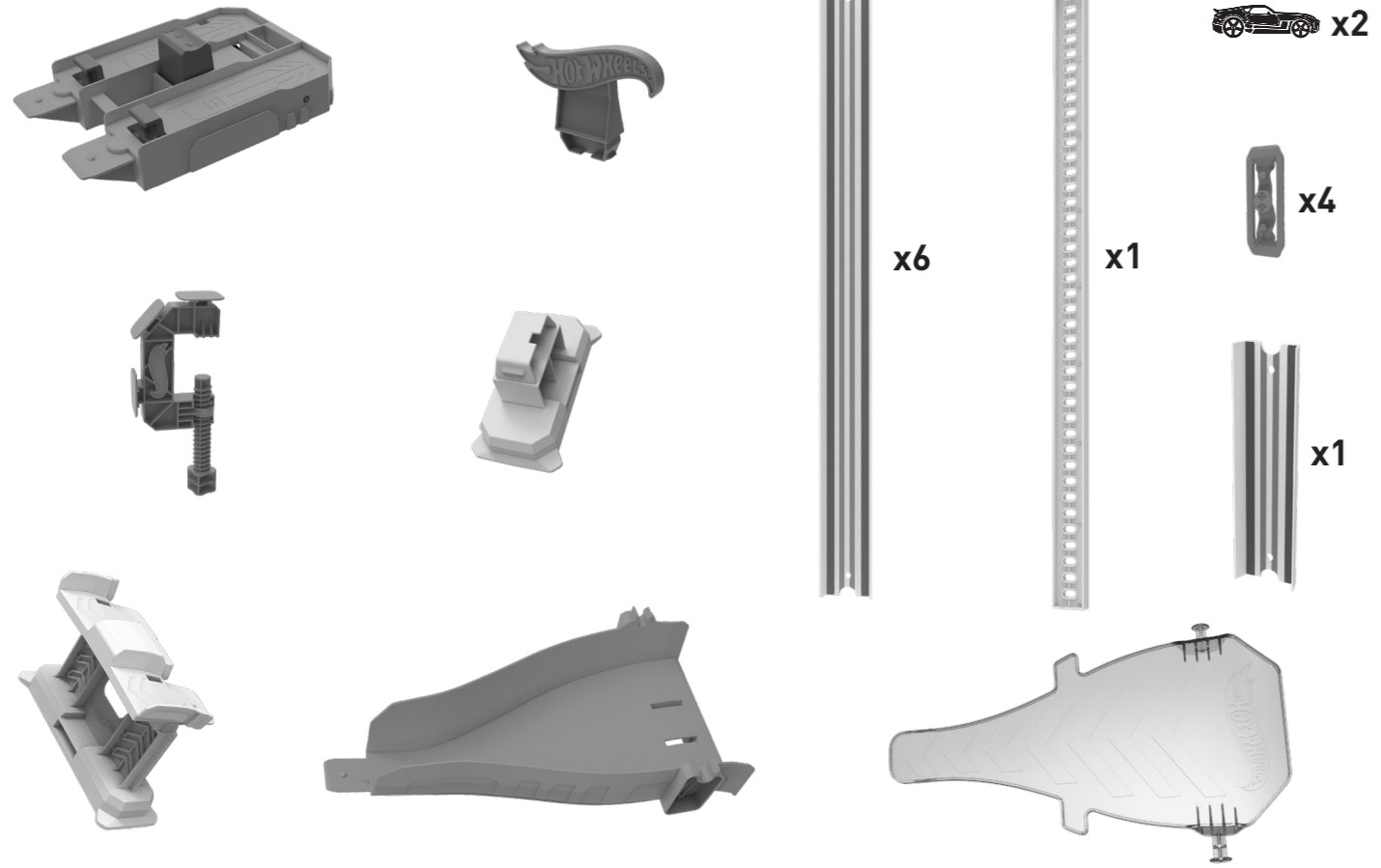
GJL15-0970
1102307655-DOM

HOTWHEELS.COM

Not for use with some Hot Wheels® vehicles. Two vehicles included. Additional vehicles sold separately. Please keep these instructions for future reference as they contain important information.

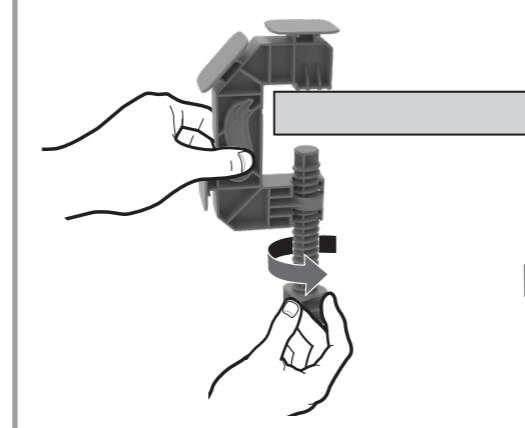
INSTRUCTIONS

1 CONTENTS

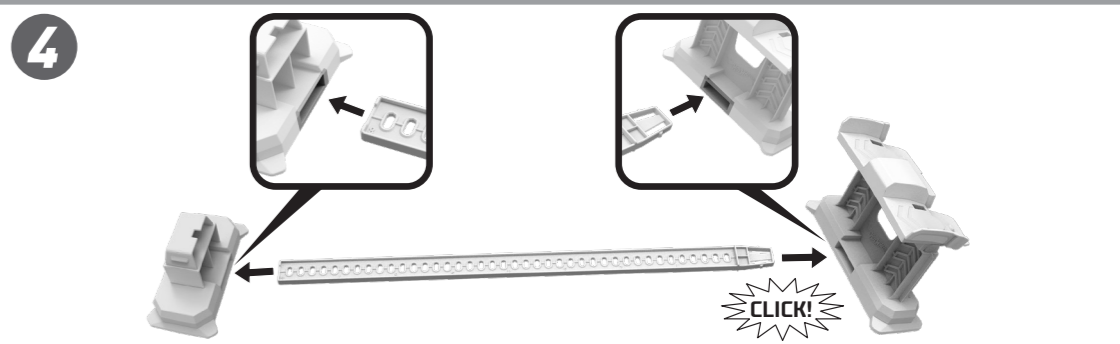
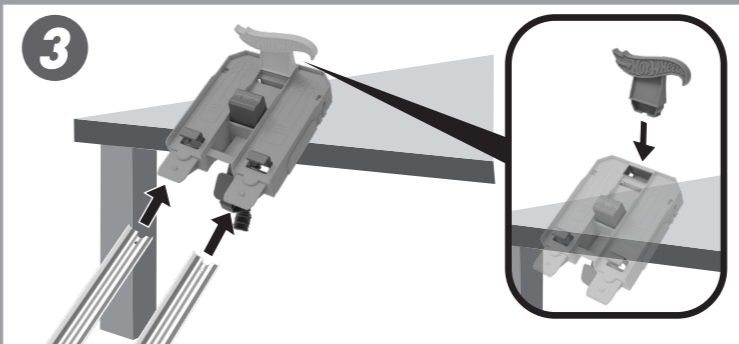
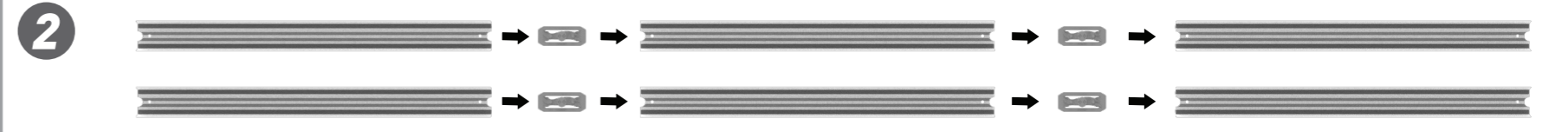
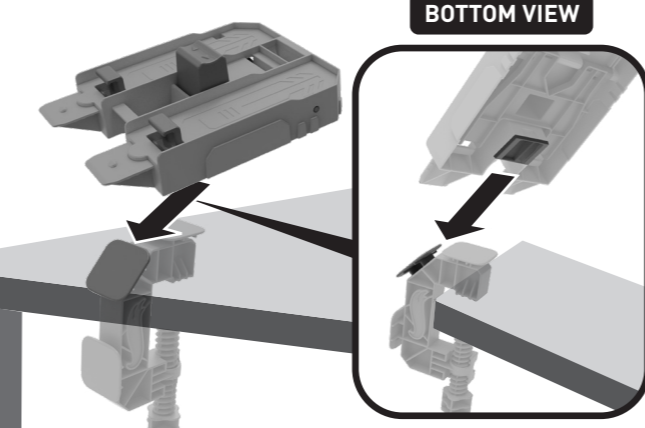


2 ASSEMBLY

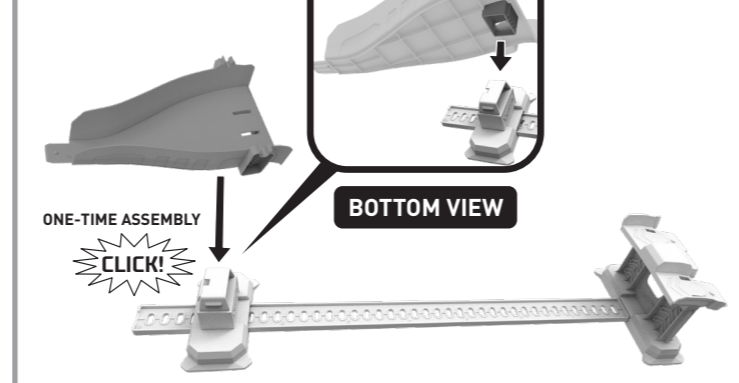
1 a ATTACH CLAMP TO THE TABLE.



b SLIDE IN LAUNCHER.



5 a



b

